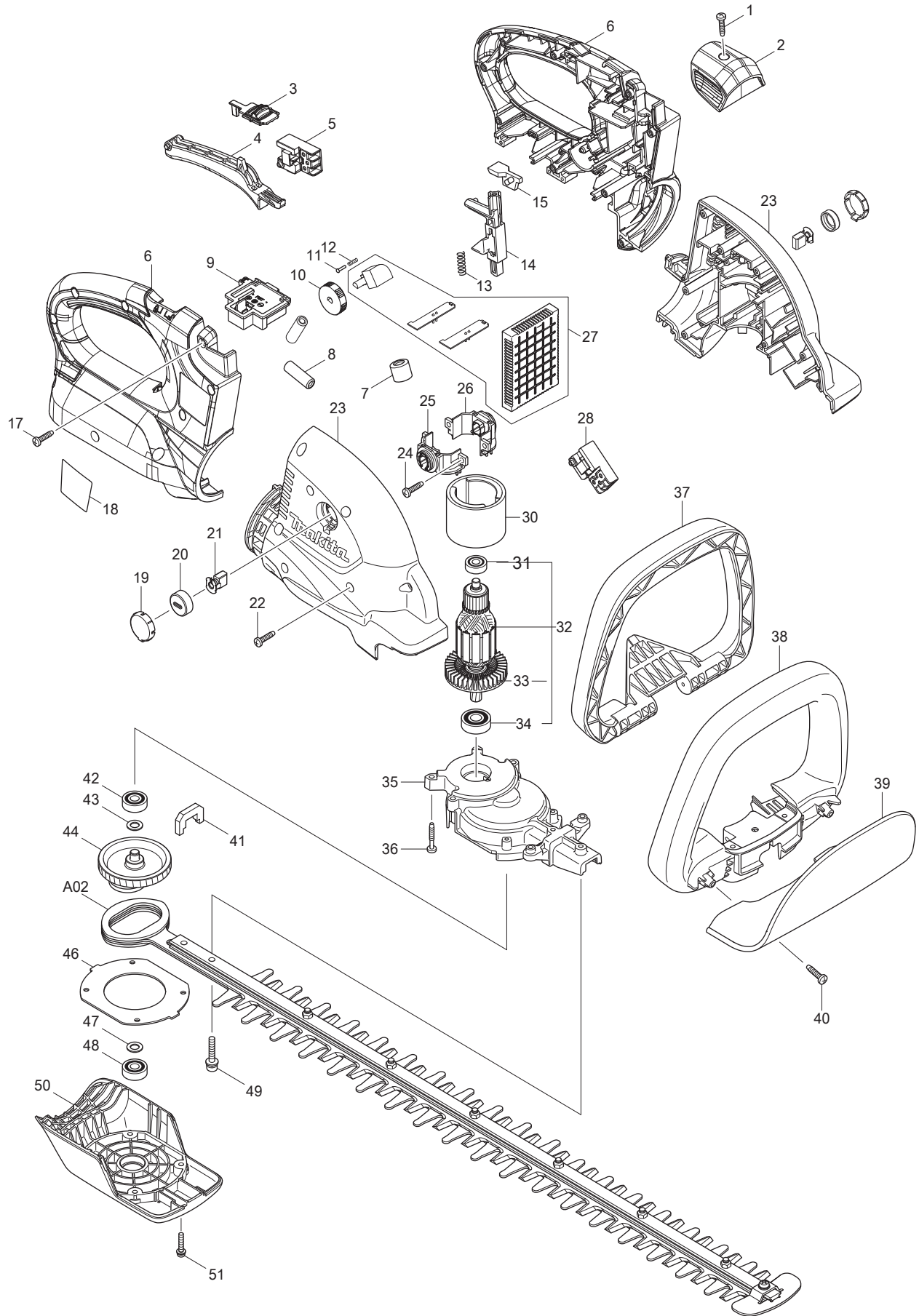




04 - 2014

DUH651Z

18VX2 25-1/2" HEDGE TRIMMER



Item	Type	Sub	Part No	Description	Qty	Unit
001			265995-6	TAPPING SCREW 4X18	1	PC.
002			452164-0	KNOB	1	PC.
003			455093-6	LOCK OFF LEVER	1	PC.
004			455091-0	SWITCH LEVER A	1	PC.
005			650730-9	SWITCH TG72BD-6	1	PC.
006			187879-7	HANDLE SET	1	SET
		INC.	263005-3	RUBBER PIN 6	4	PC.
		INC.	803N80-7	INDICATION LABEL	1	PC.
009			644808-8	TERMINAL	2	PC.
010			271427-3	DIAL 28	1	PC.
011			255058-6	RIVET 2	1	PC.
012			233002-3	COMPRESSION SPRING 3	1	PC.
013			233117-6	COMPRESSION SPRING 6	1	PC.
014			452162-4	LOCK LEVER	1	PC.
015			455092-8	SLIDER	1	PC.
017			265995-6	TAPPING SCREW 4X18	10	PC.
018			815R03-7	NAME PLATE F/DUH651	1	PC.
019			452145-4	HOLDER CAP COVER	2	PC.
020			643941-3	BRUSH HOLDER CAP	2	PC.
021			195023-2	CARBON BRUSH CB-442 2PC/SET (W/ ORIGIN)	1	SET
022			265995-6	TAPPING SCREW 4X18	8	PC.
023			187878-9	HOUSING SET	1	SET
		INC.	263025-7	RUBBER PIN 4	4	PC.
024			265995-6	TAPPING SCREW 4X18	2	PC.
025			644511-1	BRUSH HOLDER	1	PC.
026			644512-9	BRUSH HOLDER	1	PC.
027	1		620274-3	CONTROLLER	1	PC.
028			650730-9	SWITCH TG72BD-6	1	PC.
030			638020-0	YOKE UNIT	1	PC.
031			211022-7	BALL BEARING 607ZZ	1	PC.
032			519261-6	ARMATURE ASSEMBLY 36V	1	PC.
		INC.		Item No. 31, 33, 34		
033			240045-8	FAN 55	1	PC.
034			211062-5	BALL BEARING 6000ZZ	1	PC.
035			140604-7	GEAR HOUSING COMPLETE	1	PC.
		INC.	263002-9	RUBBER PIN 4	1	PC.
036			265999-8	TAPPING SCREW 4X25	6	PC.
037			452160-8	SWITCH LEVER B	1	PC.
038			452158-5	FRONT GRIP	1	PC.
039			142649-1	PROTECTOR COMPLETE	1	PC.
		INC.	803N81-5	CAUTION LABEL	1	PC.
		INC.	803N82-3	CAUTION LABEL	1	PC.
040			265995-6	TAPPING SCREW 4X18	2	PC.
041			443142-1	DUST GUARD	1	PC.
042	2		210223-4	BALL BEARING 608ZZ	1	PC.
043			253835-0	FLAT WASHER 8	1	PC.
044	1		142215-4	* GEAR COMPLETE	1	PC.
	2		140536-8	* GEAR COMPLETE	1	PC.
046			346325-1	PLATE	1	PC.
047			253835-0	FLAT WASHER 8	1	PC.
048	2		210223-4	BALL BEARING 608ZZ	1	PC.
049			265182-7	+ PAN HEAD SCREW M5X25	2	PC.
050			452156-9	UNDER COVER	1	PC.
051			911138-5	PAN HEAD SCREW M4X20	4	PC.
100			654510-5	INSULATED CONNECTOR 5.5-SD	1	PC.

Item	Type	Sub	Part No	Description	Qty	Unit
<u>ACCESSORIES</u> - See Catalogue or visit www.makita.ca for more accessories -						
A01			450490-1	BLADE COVER	1	PC.
A02	1		196689-1	* SHEAR BLADE ASSEMBLY SET	1	PC.
		INC.	264013-7	HEX. LOCK NUT M5-8	7	PC.
		INC.	257766-5	SLEEVE 5	9	PC.
		INC.	265181-9	+TRUSS HEAD SCREW M5X20	7	PC.
		INC.	345205-8	BRANCH CATCHER	1	PC.
		INC.	911208-0	PAN HEAD SCREW M5X10	1	PC.
		INC.	188605-7	OIL VESSEL SET	1	PC.
	2		196688-3	* SHEAR BLADE ASSEMBLY SET	1	PC.
		INC.	264013-7	HEX. LOCK NUT M5-8	7	PC.
		INC.	257766-5	SLEEVE 5	9	PC.
		INC.	265181-9	+TRUSS HEAD SCREW M5X20	7	PC.
		INC.	345205-8	BRANCH CATCHER	1	PC.
		INC.	911208-0	PAN HEAD SCREW M5X10	1	PC.
		INC.	188605-7	OIL VESSEL SET	1	PC.
A03			194681-1	CHIP RECEIVER ASS'Y SET	1	PC.
A04			-----	18V LI-ION BATTERY		
A05			-----	BATTERY CHARGER		
A06			-----	LI-ION BATTERY ACCESSORIES		
C01			876089-8	CARTON	1	PC.
E01			632E32-5	* FUSE UNIT	1	PC.

SERVICE CHANGES

1. Addition of Fuse unit - See T/I# A7128 for wiring change

2. Changes on Shear Blade Assembly and Gear Complete

(T/I#D8629)

Item No.	Description	Type 1	Type 2
A02	SHEAR BLADE ASSY SET	196689-1	196688-3
044	GEAR COMPLETE	142215-4	140536-8

Above parts are completely interchangeable as a set.